

Blades for plastics

Blades for plastic - Series SF-30

Blades for plastic - Series SF-30



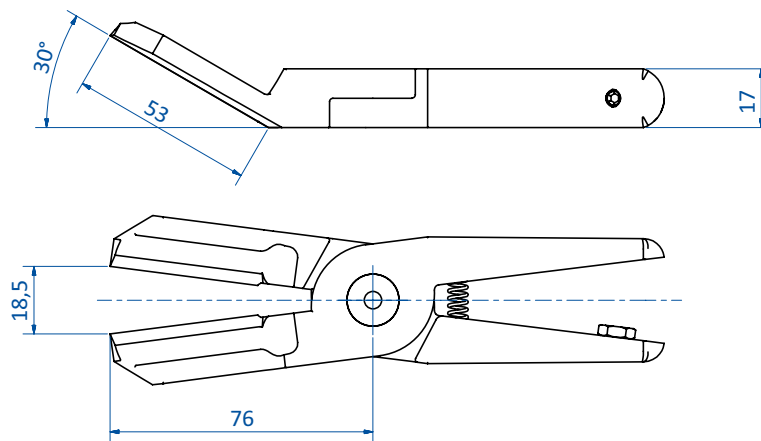
Product notes

- > Forged blades from high alloy steel and heat surface treated
- > Suitable for all nippers of the size 30

Technical data

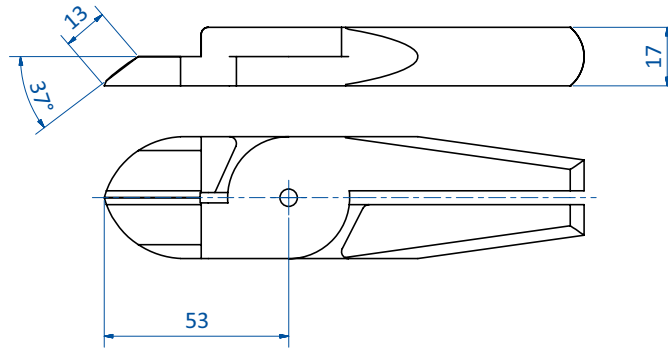
Item no.	Plug Design	Max. opening width [mm]	Max. sprue diameter [mm]	Material	Weight [g]	Air nippers
SF30.A30.76	30° angle	18.5	9	Ferrous alloy	378	GT-N30 GT-NR30 GT-NS30
SF30.I53	Inline	12.5	9	Ferrous alloy	365	GT-N30 GT-NR30 GT-NS30
SF30.I74	Inline	19	9	Ferrous alloy	464	GT-N30 GT-NR30 GT-NS30
SF30.P45	Perpendicular	10	9	Ferrous alloy	374	GT-N30 GT-NR30 GT-NS30

Dimensions

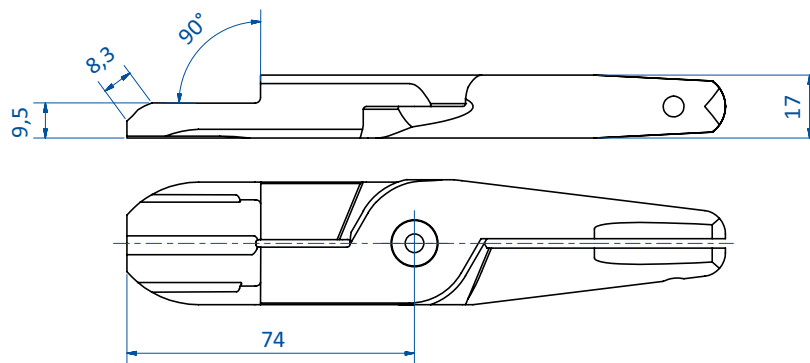


SF30.A30.76

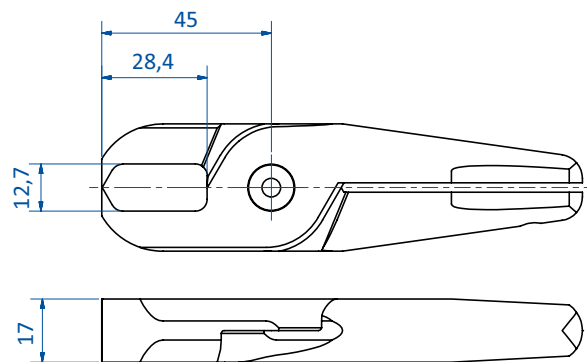
Dimensions



SF30.I53



SF30.I74



SF30.P45