



Blades for metal, angled



Product notes

- > Blades with a beveled cutting edge using the anvil principle
- > N30BBB and N50BBB: Blades with carbide tips to cut hard wire such as high steel wire or piano wire

Technical data

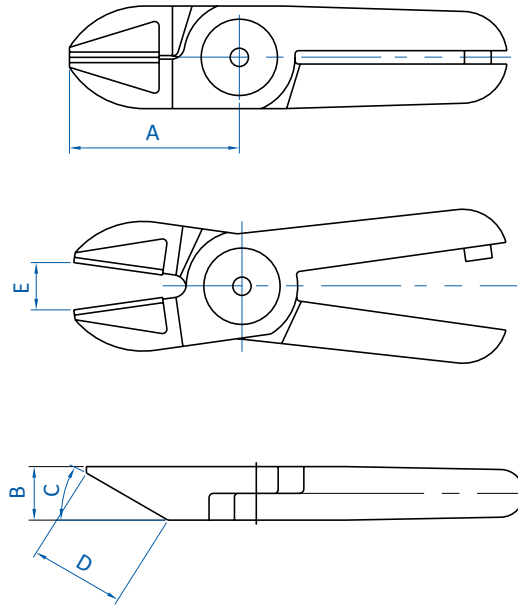
Item no.	Material	Max. cutting thickness [mm]			Weight [g]	Air nippers
		Copper wire	Steel wire	Piano wire		
N3AS	Ferrous alloy	1	0.5	--	35	GT-N3, GT-NR3, GT-NS3
N3HS	HSS steel	1	0.5	0.2	35	GT-N3, GT-NR3, GT-NS3
N5AS	Ferrous alloy	1	0.5	--	40	GT-N5, GT-NR5, GT-NS5
N5HS	HSS steel	1	0.5	0.3	40	GT-N5, GT-NR5, GT-NS5
N7AS	Ferrous alloy	1.6	1	--	80	GT-N7, GT-NR7, GT-NS7
N7HS	HSS steel	1.6	1	0.5	80	GT-N7, GT-NR7, GT-NS7
N10AS	Ferrous alloy	1.8	1.2	--	85	GT-N10
N10HS	HSS steel	2.3	1.7	--	85	GT-N10
N10LAS	Ferrous alloy	1.8	1.2	--	120	GT-NR10L, GT-NS10L
N12AS	Ferrous alloy	2.3	1.7	--	135	GT-N12
N12HS	HSS steel	1.3	2.7	--	95	GT-N12
N20AS	Ferrous alloy	2.6	2	--	140	GT-N20, GT-NR20, GT-NS20
N20HS	HSS steel	2.6	2	1	135	GT-N20, GT-NR20, GT-NS20
N30AS	Ferrous alloy	3.3	2.8	--	370	GT-N30, GT-NR30, GT-NS30
N30BBB	Sintered alloy	3.3	2.8	1.2	365	GT-N30, GT-NR30, GT-NS30
N50BBB	Sintered alloy	5.5	4.5	2	955	GT-N50, GT-NR50



Nipper technology | Air nippers - manual and automatic operation

Blades for metal, angled

Dimensions



Item no.	A [mm]	B [mm]	C [°]	D [mm]	E [mm]
N3AS	24	7	25	12	4
N3HS	24	7	25	12	4
N5AS	24	7	25	12	4
N5HS	24	7	25	12	4
N7AS	27	9	30	13.5	4
N7HS	27	9	30	13.5	4
N10AS	27	9	30	13.5	5
N10HS	27	9	30	13.5	5
N10LAS	35	12	30	20	5
N12AS	35	12	30	20	5
N12HS	35	12	30	20	9
N20AS	35	12	30	20	9
N20HS	26	12	40	10	7
N30AS	43	17	30	25	9
N30BBB	36	17	40	18	7
N50BBB	46	25	35	19	9