



## Blades for plastic, angled



Model PF

### Product notes

- > Blades with angled cutting edge
- > Model -PF: Blades with deep angle
- > All other blades with standard angle

### Technical data

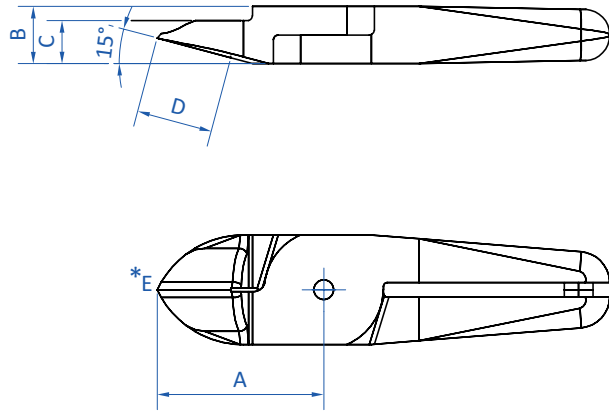
Item no.	Material	Max. cutting thickness [mm]		Weight [g]	Air nippers
		PP / PE	ABS		
<b>N3AP</b>	Ferrous alloy	2	--	35	GT-N3, GT-NR3, GT-NS3
<b>N5AP</b>	Ferrous alloy	2	--	40	GT-N5, GT-NR5, GT-NS5
<b>N7AP</b>	Ferrous alloy	3	2	80	GT-N7, GT-NR7, GT-NS7
<b>N7PF</b>	Ferrous alloy	3	2	80	GT-N7, GT-NR7, GT-NS7
<b>N10AP</b>	Ferrous alloy	4	2.6	85	GT-N10
<b>N10LAB152</b>	Ferrous alloy	4	2.6	165	GT-NR10L
<b>N10LAP</b>	Ferrous alloy	4	2.6	120	GT-NR10L, GT-NS10L
<b>N10LPF</b>	Ferrous alloy	4	2.6	120	GT-NR10L, GT-NS10L
<b>N12AP</b>	Ferrous alloy	4.5	4	135	GT-N12
<b>N20AA239</b>	Ferrous alloy	6	4	195	GT-N20, GT-NS20
<b>N20AA27</b>	Ferrous alloy	6.5	4.5	145	GT-N20, GT-NS20
<b>N20AB360</b>	Ferrous alloy	7	5	185	GT-NS20
<b>N20AP</b>	Ferrous alloy	7	5	125	GT-NS20, GT-N20, GT-NR20
<b>N20PF</b>	Ferrous alloy	7	5	130	GT-N20, GT-NR20, GT-NS20
<b>N30AA114</b>	Ferrous alloy	10	6.5	385	GT-N30, GT-NR30, GT-NS30
<b>N30AP</b>	Ferrous alloy	10	6.5	380	GT-N30, GT-NR30, GT-NS30
<b>N30PF</b>	Ferrous alloy	10	6.5	390	GT-N30, GT-NR30, GT-NS30
<b>N50AB</b>	HSS steel	15	8	1,100	GT-N50, GT-NR50
<b>N50ABH41</b>	HSS steel	18	8	1,000	GT-N50, GT-NR50



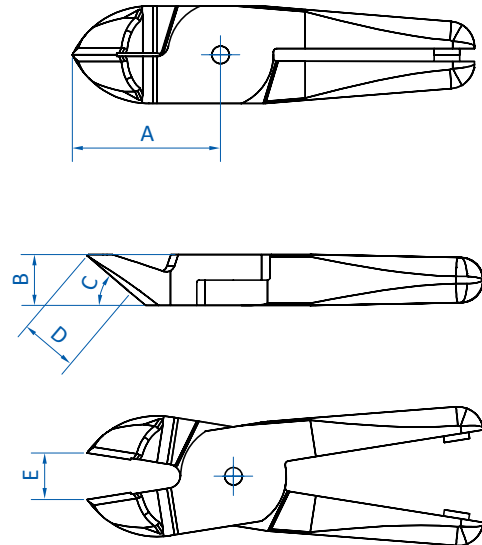
# Nipper technology | Air nippers - manual and automatic operation

Blades for plastic, angled

## Dimensions



N3AP | N5AP | N7AP | N10AP | N10LAP | N12AP | N20AP | N30AP



N7PF | N10LPF | N20PF | N30PF

\* = width of opening

Item no.	A [mm]	B [mm]	C [°]	D [mm]	E [mm]
N3AP	24	7	15	11.5	4
N5AP	24	7	15	11.5	4
N7AP	27	9	30	11.5	4
N7PF	27	9	40	10.5	4
N10AP	27	9	30	11.5	5
N10LAB152	61	12	15	35	10
N10LAP	35	12	15	16	5
N10LPF	35	12	40	13.5	5
N12AP	35	12	15	16	5
N20AA239	52.3	12	40	27	14
N20AA27	45	12	23	25	12
N20AB360	61	12	15	35	16
N20AP	35	12	15	16	11
N20PF	35	12	40	13.5	11
N30AA114	76.3	17	30	50	20
N30AP	66	17	15	38	16
N30PF	58	17	30	25	15
N50AB	90	25	30	29	21
N50ABH41	119.6	25	30	40	29